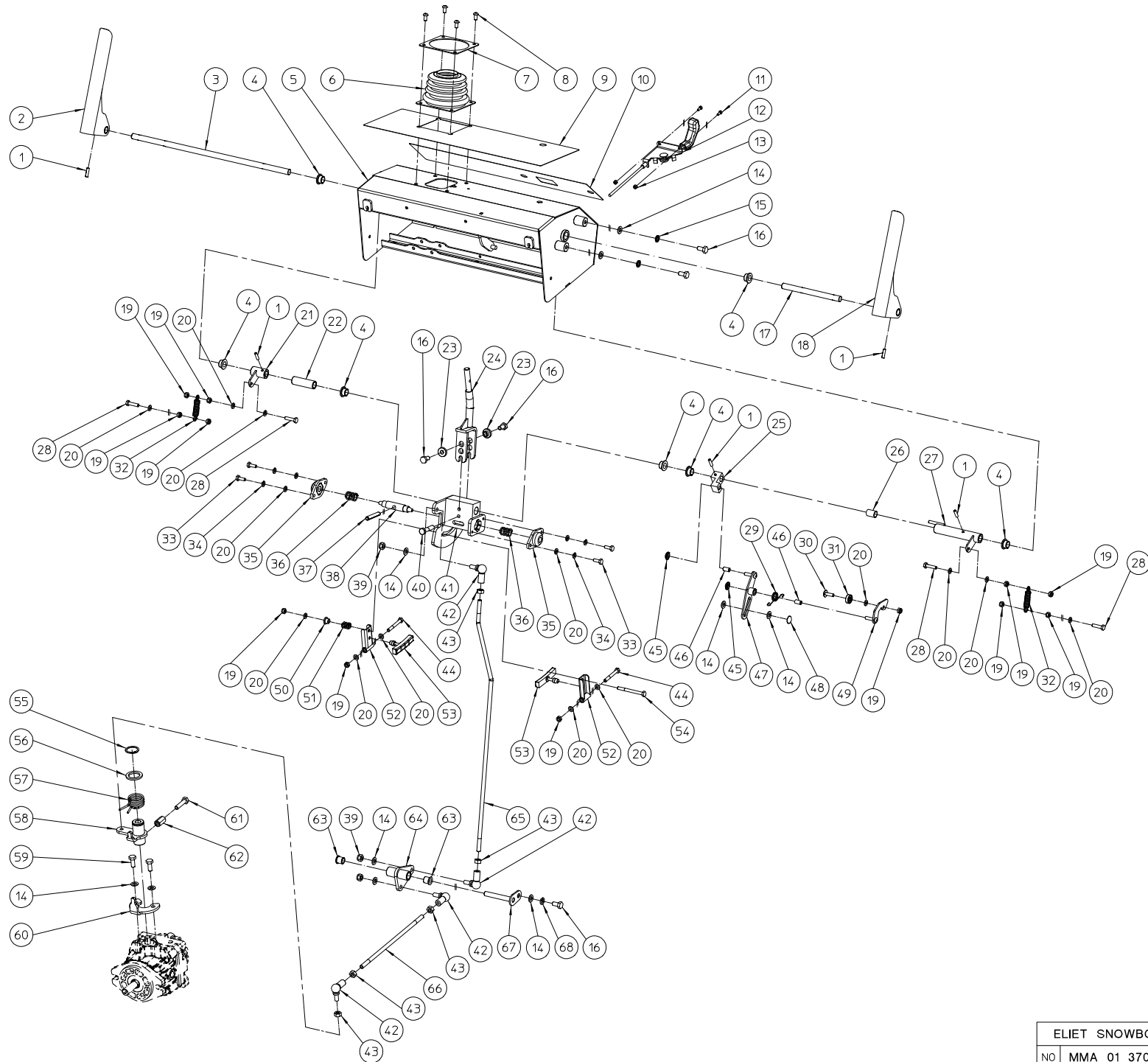
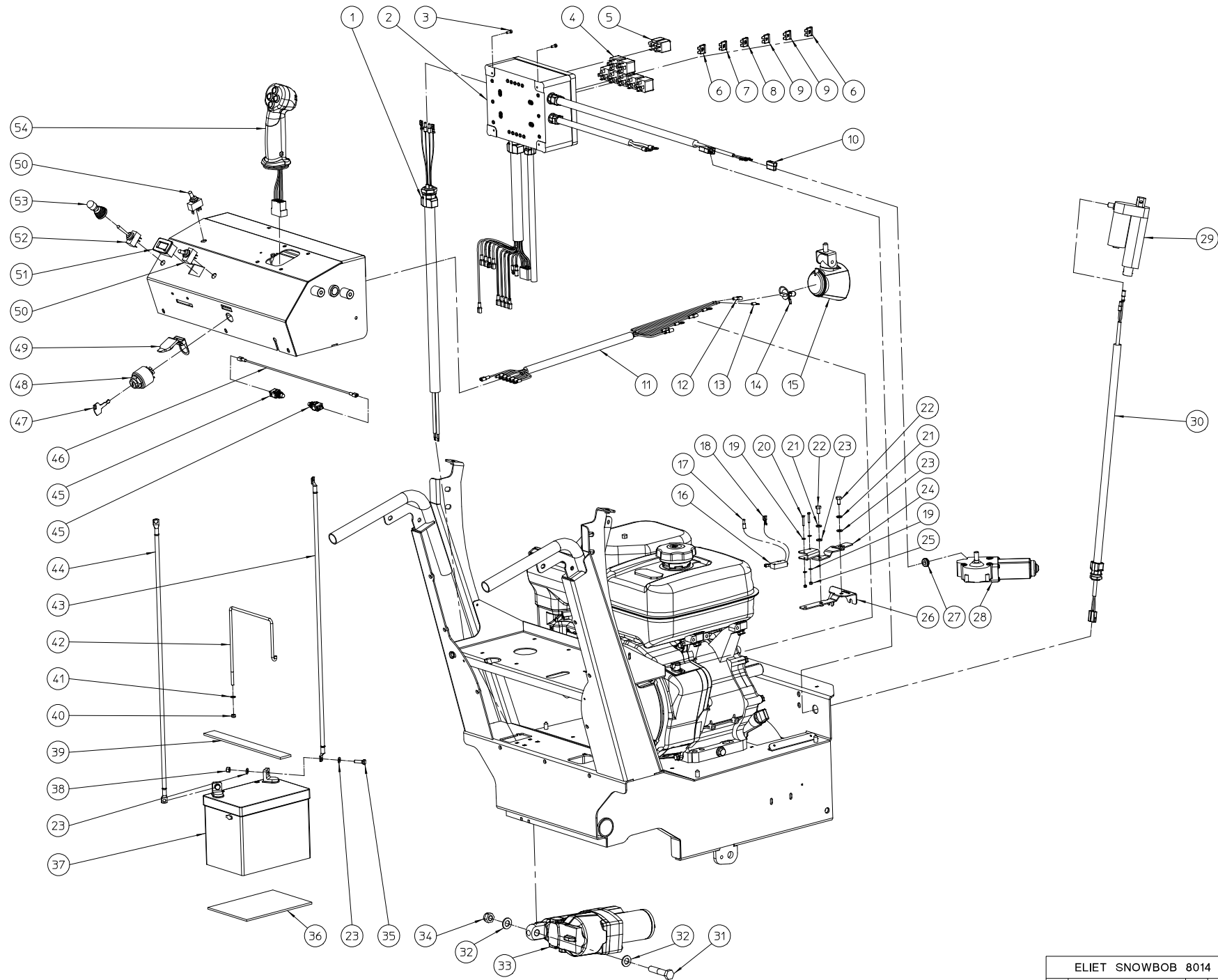


#	Order nr	article description	quantity
1	MMA 01 370 110	control	1
2	MMA 01 370 120	electrical system	1
3	MMA 01 370 130	hydraulics	1
4	MMA 01 370 140	track gear	1
5	MMA 01 370 150	augur	1
6	MMA 01 370 160	transmission	1
8	MMA 01 370 180	protection	1
10	MA 023 001 007	option	1



#	Order nr	article description	quantity
1	BB 120 050 200	locking 5x20 din 1481	5
2	MPA 01 310 080	clutch handle auger	1
3	MPA 01 370 950	axle control lever auger transmition	1
4	BR 112 121 090	nylon bushing with collar (12/16/22x10/2)	7
5	MPA 01 370 370	control panel	1
6	BR 000 800 222	protective bellows	1
7	MPA 01 371 120	support rubber joystick	1
8	BS 522 500 612	screw m6x12 iso 7380	4
9	BQ 501 261 030	sticker dashboard 2 - 460x95	1
10	BQ 501 261 020	sticker dashboard 1 - 460x95	1
11	BS 541 000 410	screw m4x10 din 84	2
12	BK 164 310 900	throttle control + cable	1
13	BS 502 000 400	self locking nut m4 din 985	2
14	BS 531 000 800	washer m8 din 125	12
15	BS 534 000 800	lock washer m8 din 6798a	4
16	BS 512 000 816	bolt m8x16 din 933	7
17	MPA 01 310 990	driving spindle pump	1
18	MPA 01 310 081	safety handle (presence control)	1
19	BS 502 000 600	self locking nut m6 din 985	12
20	BS 531 000 600	washer m6 din 125	16
21	MPA 01 311 970	lever control coupling auger	1
22	MPA 01 371 190	spacer	1
23	MPA 01 370 980	support ring lever joystick snowbob 8014	2
24	MPA 01 370 410	control lever pump	1
25	MPA 01 310 240	control lever to unblock	1
26	BR 111 122 090	nylon bushing (12/14x20)	1
27	MPA 01 310 160	lever control coupling pump	1
28	BS 512 000 625	bolt m6x25 din 933	4
29	BV 923 000 030	spring	1
30	BS 552 100 620	screw m12x40 type kf	1
31	BL 000 601 903	bearing ezo 606 zz	1
32	BV 011 311 005	spring 1,3x11x55	2
33	BS 512 000 616	bolt m6x16 din 933	4
34	BS 533 000 600	lock washer m6 din 127b	4
35	MPA 01 370 570	holder contact	2
36	BV 922 000 030	spring	2
37	BB 120 080 500	locking 8x50 din 1481	1
38	MPA 01 371 410	axle control joystick	1
39	BS 502 000 800	self locking nut m8 din 985	3
40	BS 511 000 840	bolt m8x40 din 931	1
41	MPA 01 370 380	tippiece control	1
42	BA 230 010 800	ball joint m8	4
43	BS 501 000 800	nut m8 din 934	5
44	BS 511 000 642	bolt m6x50 din 931	2
45	BB 011 000 060	starlock 6mm	2
46	BR 111 131 090	bushing	2
47	MPA 01 310 250	guide lever to unblock	1
48	BB 011 000 080	starlock 8mm	1
49	MPA 01 310 260	lever to unblock	1
50	BR 112 060 800	nylon bushing with collar (6/10/15x8.5/2)	1
51	BV 911 000 010	spring 14x2x16	1
52	MPA 01 310 230	support brake friction pad	2

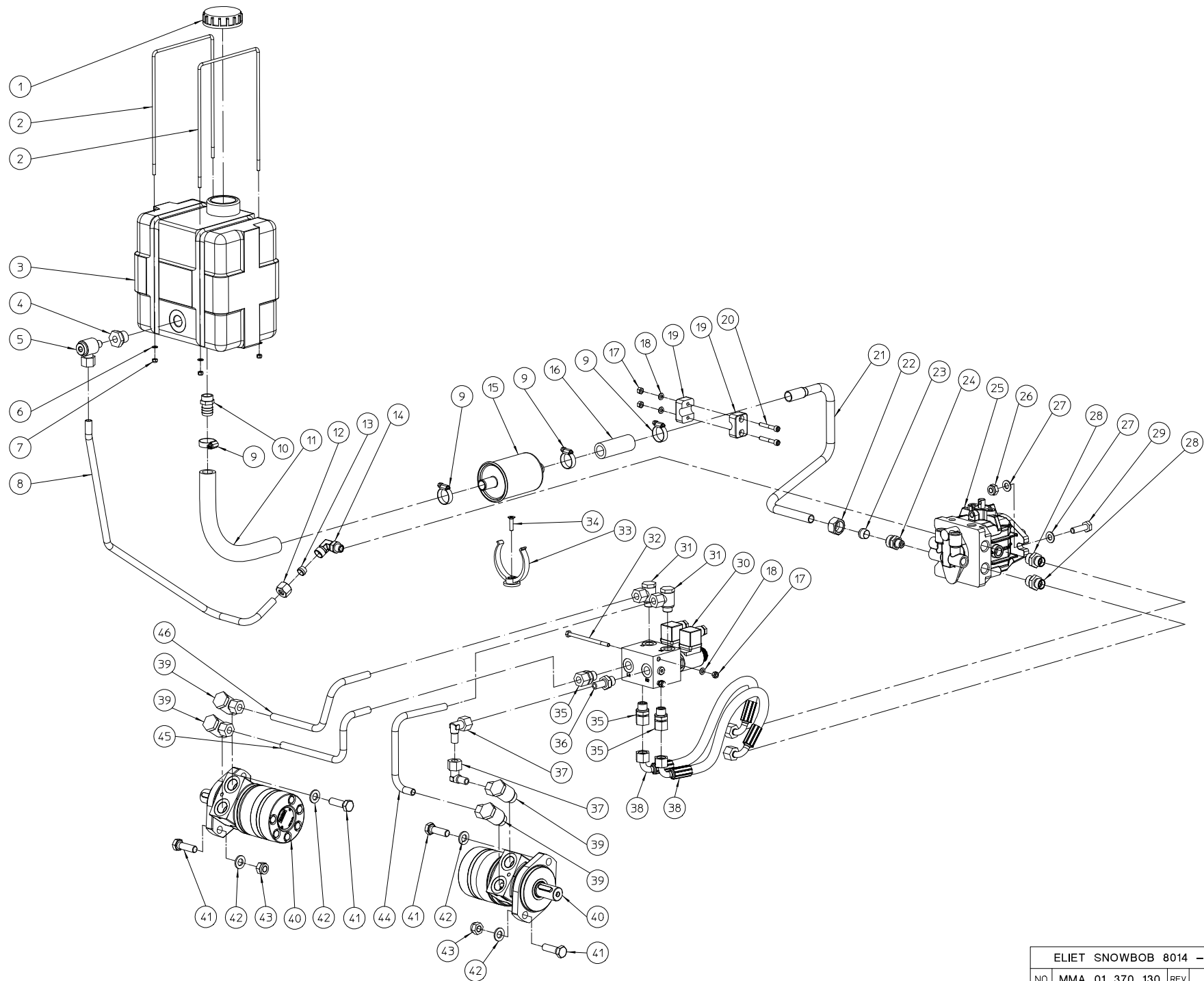
53	BA 410 100 100	kit brake friction pad	1
54	BS 511 000 645	bolt m6x65 din 931	1
55	BB 001 000 250	retaining ring 20 din 471	1
56	MPA 01 310 870	washer	1
57	BV 923 000 010	spring	1
58	MPA 01 370 350	lever control pump	1
59	BS 512 000 820	bolt m8x20 din 933	2
60	MPA 01 370 940	lever positioner pump snowbob 8014	1
61	BS 512 000 835	bolt m8x35 din 933	1
62	BS 508 200 824	nut m8x24	1
63	BR 112 101 490	nylon bushing with collar (10/14/17.5x14/1)	2
64	MPA 01 370 360	tippiece pumpcontrol	1
65	MPA 01 370 970	stud pump snowbob 8014	1
66	MPA 01 370 960	stud pump snowbob 8014	1
67	MPA 01 370 110	thorn control hinge pump	1
68	BS 533 000 800	lock washer m8 din 127b	1



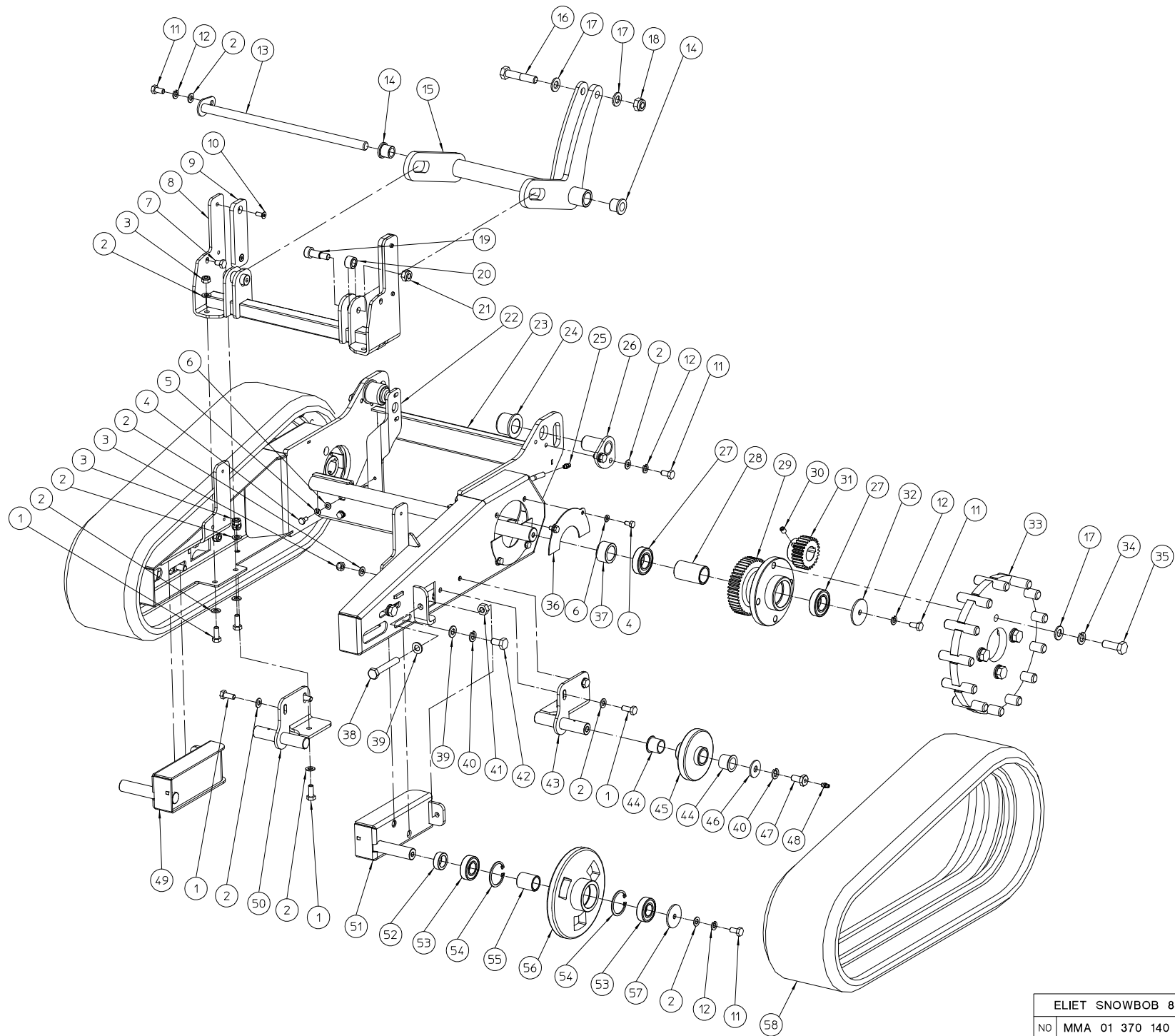
#	Order nr	article description	quantity
1	BE 099 003 717	connector solenoid valve	1
2	BE 099 003 797	electrical system	1
3	BS 541 000 410	screw m4x10 din 84	2
4	BE 160 013 000	reversing relay 12v	7
5	BE 160 012 010	micro-relais 12v (4-poles)	2
6	BE 100 704 000	midi-blade fuse 40a	2
7	BE 100 701 500	midi-blade fuse 15a	1
8	BE 100 700 750	midi-blade fuse 7.5a	1
9	BE 100 700 500	midi-blade fuse 5a	2
10	BE 032 180 907	housing	1
11	BE 099 003 702	cable starter key	1
12	BE 031 010 300	crimp contact	1
13	BE 031 013 000	eyed terminal m6	1
14	BE 510 510 120	lamp h3 12v 55w	1
15	BY 707 040 401	working light modul 70 h3	1
16	BE 120 010 500	safety switch	1
17	BE 031 010 800	round plug red	1
18	BE 031 082 100	crimp contact	1
19	BS 531 000 300	washer m3 din 125	4
20	BS 541 000 320	screw m3x20 din 84	2
21	BS 533 000 600	lock washer m6 din 127b	2
22	BS 512 000 612	bolt m6x12 din 933	2
23	BS 531 000 600	washer m6 din 125	6
24	MPA 01 051 355	contact support abm subaru	1
25	BS 502 000 300	self locking nut m3 din 985	2
26	MPA 01 051 375	support abm	1
27	BR 000 208 014	rubber grommets	1
28	BA 700 400 100	driving geared motor 12vdc	1
29	BA 700 300 100	linear motor 12vdc	1
30	BE 099 003 701	cable actuator spout	1
31	BS 511 001 244	bolt m12x60 din 931	1
32	BS 531 001 200	washer m12 din 125	2
33	BA 700 500 100	actuator electro-hydraulic 12vdc	1
34	BS 502 001 200	self locking nut m12 din 985	1
35	BS 512 000 620	bolt m6x20 din 933	2
36	BR 900 001 540	rubber protection battery snowbob	1
37	BE 240 120 300	battery 12v 30ah	1
38	BS 502 000 600	self locking nut m6 din 985	2
39	BR 900 001 550	rubber protection belt battery snowbob	1
40	BS 502 000 500	self locking nut m5 din 985	1
41	BS 531 000 500	washer m5 din 125	1
42	MPA 01 371 030	bracket battery snowbob 8014	1
43	BE 090 180 631	black wire 16mm <sup>2</sup> - 630mm	1
44	BE 090 280 631	red wire 16mm <sup>2</sup> - 600mm	1
45	BE 120 021 213	pressure switch no	2
46	BE 099 003 716	jumper wire contact joystick	1
47	BM 263 009 980	starter key	0
48	BM 263 000 330	ignition switch	0
49	BM 261 000 010	protection ignition	1
50	BE 120 020 636	switch	2
51	BE 412 430 000	maintenance meter	1
52	BE 120 020 637	manual switch	1

53	BE 120 022 197	rubber cap	1
54	BE 120 070 011	joystick	1





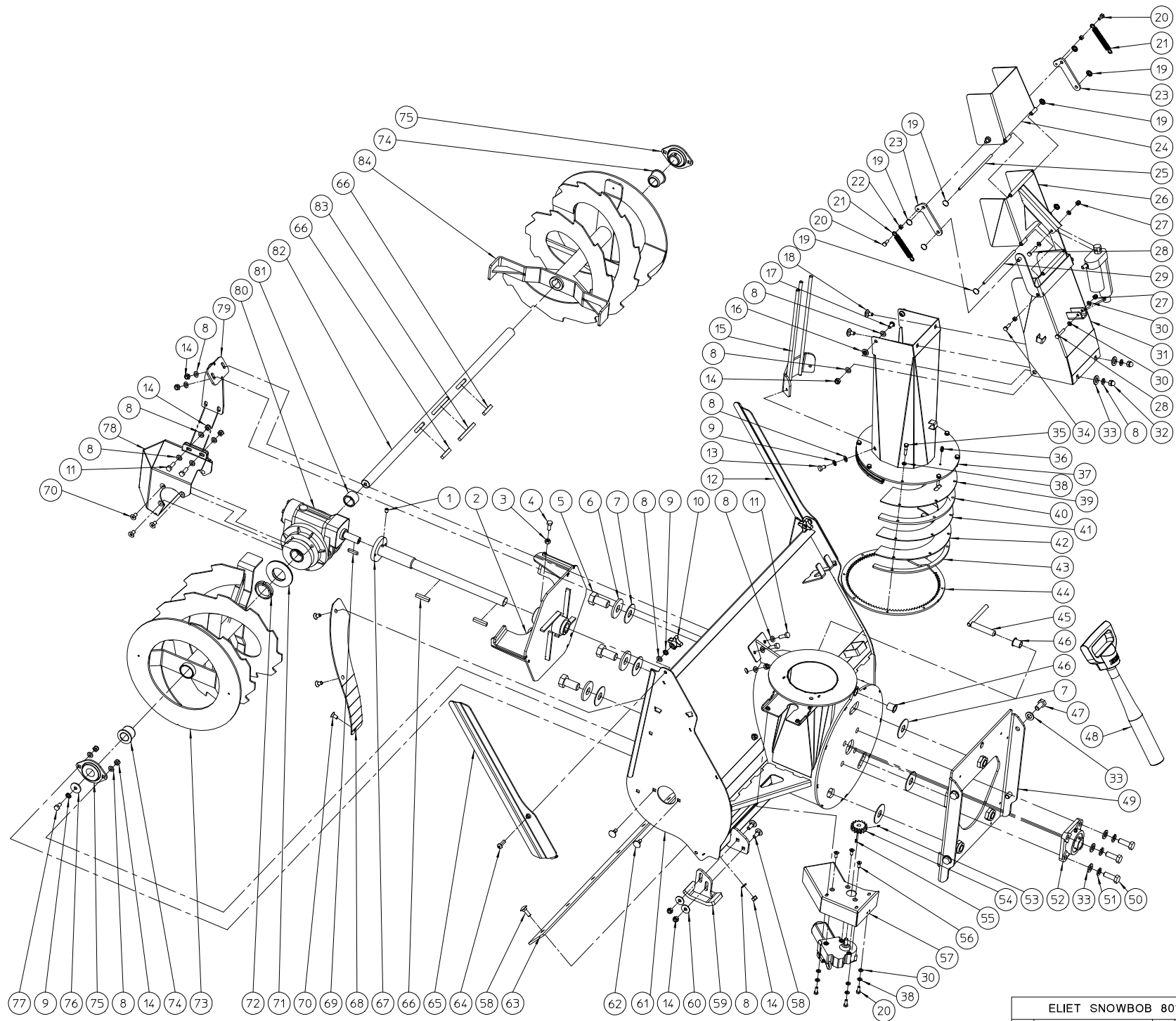
#	Order nr	article description	quantity
1	BH 720 503 040	cap for tank	1
2	MPA 01 150 420	yoke fuel tank	2
3	BY 717 208 206	plastic tank 6l	1
4	BH 514 100 804	reduction stud (m-f) 1/2"-1/4"	1
5	BH 513 011 204	banjo with inner hexagon 12lx1/4"	1
6	BS 531 000 500	washer m5 din 125	4
7	BS 502 000 500	self locking nut m5 din 985	4
8	MPA 01 371 340	hydraulic piping back	1
9	BT 670 117 290	hose clamp 17x29mm	4
10	BT 136 260 820	insert connector for hose 20x1/2	1
11	BR 201 019 034	flexible hose 19-340mm	1
12	BH 508 121 200	nut 12l	1
13	BH 508 821 200	cutting ring 12ls	1
14	BH 522 091 214	stud elbows 12lx9/16" unf	1
15	BH 280 119 190	hydraulic filter p17	1
16	BR 201 019 008	flexible hose 19-80mm	1
17	BS 502 000 600	self locking nut m6 din 985	4
18	BS 531 000 600	washer m6 din 125	4
19	BH 711 510 100	pipe clamp a-15mm	2
20	BS 521 100 640	screw m6x40 din 912	2
21	MPA 01 371 350	hydraulic piping suction	1
22	BH 508 121 500	nut 15l	1
23	BH 508 821 500	cutting ring 15ls	1
24	BH 509 291 514	male stud coupling 15lx9/16 unf bo	1
25	BH 241 110 001	pump 10cc	1
26	BS 502 001 000	self locking nut m10 din 985	2
27	BS 531 001 000	washer m10 din 125	4
28	BH 509 291 219	male stud coupling 12lx3/4 unf bo	2
29	BS 512 001 035	bolt m10x35 din 933	2
30	BH 410 003 100	double solenoid valve differential 12v dc	1
31	BH 513 111 206	banjo 12lx3/8"	2
32	BS 511 000 650	bolt m6x100 din 931	2
33	BT 653 006 300	clam 63mm	1
34	BS 522 100 625	screw m6x25 din 7991	1
35	BH 509 211 206	male stud coupling 12lx3/8"	3
36	BH 512 611 206	standpipe adaptor 12lx3/8"	1
37	BH 511 911 200	angular rotary fitting 12l	2
38	BH 551 060 501	flexible hydraulic hose 3/8"x500	2
39	BH 513 111 208	banjo 12lx1/2"	4
40	BH 332 516 500	hydraulic engine	2
41	BS 512 001 240	bolt m12x40 din 933	4
42	BS 531 001 200	washer m12 din 125	4
43	BS 502 001 200	self locking nut m12 din 985	2
44	MPA 01 371 310	hydraulic piping	1
45	MPA 01 371 420	hydraulic pipe	1
46	MPA 01 371 430	hydraulic pipe	1



ELIET SNOWBOB 8014 -- TRAIN TRACK					
NO	MMA 01 370 140	REV	4	DATE	2014/01/24

#	Order nr	article description	quantity
1	BS 512 000 820	bolt m8x20 din 933	10
2	BS 531 000 800	washer m8 din 125	27
3	BS 502 000 800	self locking nut m8 din 985	10
4	BS 512 000 612	bolt m6x12 din 933	10
5	BS 533 000 600	lock washer m6 din 127b	2
6	BS 531 000 600	washer m6 din 125	10
7	BS 512 000 812	bolt m8x12 din 933	2
8	MPA 01 370 500	reinforcement under-frame	1
9	BR 910 000 770	nylon guide	2
10	BS 522 100 616	screw m6x16 din 7991	4
11	BS 512 000 816	bolt m8x16 din 933	9
12	BS 533 000 800	lock washer m8 din 127b	9
13	MPA 01 370 560	thorn height control	1
14	BR 112 152 090	nylon bushing with collar (15/21/27x21/3)	2
15	MPA 01 370 530	lifting arm	1
16	BS 511 001 244	bolt m12x60 din 931	1
17	BS 531 001 200	washer m12 din 125	10
18	BS 502 001 200	self locking nut m12 din 985	1
19	BS 024 001 020	set screw iso 7379 m10-12x20	2
20	MPA 01 371 360	hinge leverplate	2
21	BS 502 001 000	self locking nut m10 din 985	2
22	MPA 01 371 280	brace electrovalve snowbob 8014	1
23	MPA 01 370 490	under-frame	1
24	BR 112 253 001	nylon bushing with collar (25/36/42x30/3)	2
25	BY 100 106 100	grease fitting m6 din 71412	2
26	MPA 01 370 550	thorn frame	2
27	BL 002 504 703	bearing 6005 zz	4
28	MPA 01 371 400	spacer	2
29	MPA 01 371 300	wheel hub snowbob 8014	2
30	BS 023 000 810	set screw m8x10 din 916	4
31	BA 602 002 603	gear m2 26t	2
32	MPA 01 310 760	precision washer protection	2
33	MPA 01 370 540	drive wheel crawler track	2
34	BS 533 001 200	lock washer m12 din 127b	8
35	BS 512 301 235	bolt din 961 m12x1,5x35	8
36	MPA 01 371 260	protection gear box	4
37	MPA 01 371 270	spacer back wheel	2
38	BS 512 001 046	bolt m10x70 din 933	2
39	BS 531 001 000	washer m10 din 125	6
40	BS 533 001 000	lock washer m10 din 127b	6
41	BS 501 001 000	nut m10 din 934	2
42	BS 512 001 020	bolt m10x20 din 933	4
43	MPA 01 370 450	holder supporting roll left	1
44	BR 112 202 100	nylon bushing with collar (20/24/29x21/1)	4
45	MPA 01 371 220	crawler track support roller	2
46	BS 532 010 305	washer m10x30x2.5	2
47	MPA 01 371 230	bolt for greasing nipple din933 m10x20	2
48	BY 100 106 106	grease fitting m6 180° din 71412	2
49	MPA 01 370 510	conrollable front wheel support right	1
50	MPA 01 370 440	holder supporting roll links	1
51	MPA 01 370 520	conrollable front wheel support left	1
52	MPA 01 370 910	spacer ring snowbob 8014	2

53	BL 002 004 203	bearing 6004 zz	4
54	BB 002 000 420	retaining ring 42 din 472	4
55	MPA 01 370 920	spacer snowbob 8014	2
56	MPA 01 370 140	free caterpillar	2
57	MPA 01 370 930	washer snowbob 8014	2
58	BW 815 060 250	crawler 150x25x60	2



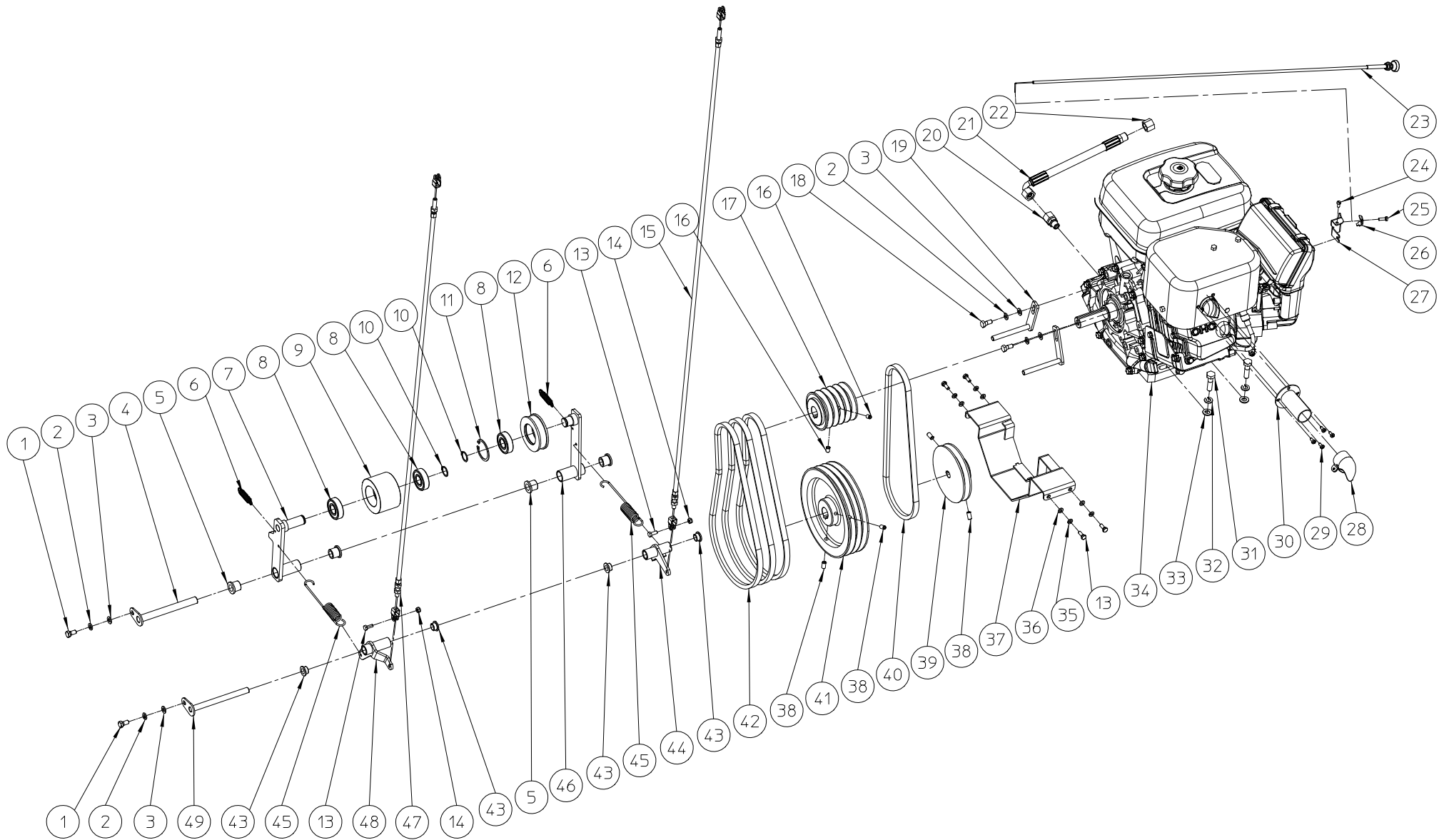
ELIET SNOWBOB 8014 -- BLOWER

NO	MMA 01 370 150	REV	1	DATE	2015/10/12
----	----------------	-----	---	------	------------

#	Order nr	article description	quantity
1	BS 023 000 810	set screw m8x10 din 916	1
2	MPA 01 370 230	screw	1
3	BS 501 000 800	nut m8 din 934	1
4	BS 512 002 040	bolt m20x40 din 933	3
5	MPA 01 310 900	washer	3
6	BR 910 000 440	ertalon precision washer	6
7	BS 531 000 800	washer m8 din 125	31
8	BS 534 000 800	lock washer m8 din 6798a	6
9	BN 630 808 400	lob knob 188-40 m8	2
10	BS 512 000 825	bolt m8x25 din 933	4
11	BS 502 000 600	self locking nut m6 din 985	2
12	MPA 01 310 620	knife right	1
13	BS 512 000 812	bolt m8x12 din 933	2
14	BS 512 000 820	bolt m8x20 din 933	3
15	MPA 01 310 520	protection blow chute	1
16	BR 112 080 300	nylon bushing with collar (8.2/10.9/18x3.5/1.5)	2
17	BS 502 000 800	self locking nut m8 din 985	23
18	BS 554 100 816	bolt m8x16 din 603	2
19	BB 011 000 080	starlock 8mm	8
20	BS 512 000 616	bolt m6x16 din 933	5
21	BV 923 000 070	spring	2
22	BS 501 000 600	nut m6 din 934	6
23	MPA 01 310 910	rod valves	2
24	MPA 01 310 540	directional valves blow chute low	1
25	MPA 01 311 080	axle valve - up	1
26	MPA 01 310 530	directional valves blow chute high	1
27	BS 505 500 600	nut m6 din 1587	2
28	BS 512 000 635	bolt m6x35 din 933	2
29	MPA 01 311 090	axle valve - down	1
30	BS 531 000 600	washer m6 din 125	7
31	MPA 01 370 210	ejection tube top	1
32	BS 505 800 800	nut m8 din 986	2
33	BS 531 001 200	washer m12 din 125	10
34	BS 512 000 620	bolt m6x20 din 933	2
35	BS 511 000 630	bolt m6x30 din 931	8
36	BS 533 000 600	lock washer m6 din 127b	11
37	MPA 01 370 220	ejection tube	1
38	BR 910 000 600	nylon 1 spout mill	2
39	BR 910 000 610	nylon 2 spout mill	2
40	BR 910 000 620	nylon 2 spout mill	2
41	MPA 01 370 830	support output deflector	2
42	MPA 01 370 840	spacer output deflector	2
43	BS 511 000 640	bolt m6x40 din 931	2
44	MPA 01 370 850	toothed ring ejection tube Ø280x5	1
45	MPA 01 370 310	lock pin auger	1
46	BR 112 152 100	nylon bushing with collar (15.4/18/23x21/1)	2
47	BS 512 001 225	bolt m12x25 din 933	4
48	MA 001 001 032	poker	1
49	MPA 01 370 280	supporting plate milling head	1
50	BS 512 001 235	bolt m12x35 din 933	4
51	BS 533 001 200	lock washer m12 din 127b	4
52	BL 711 272 505	bearing ufc205	1

53	BS 023 000 405	set screw m4x6 din 916	1
54	BA 602 501 501	gear m2.5 15t	1
55	BB 351 030 310	key 3x3x10 din 6885a	1
56	BS 522 100 616	screw m6x16 din 7991	3
57	MPA 01 370 330	support engine	1
58	BS 554 100 825	bolt m8x25 din 603	10
59	MPA 01 310 450	brake	2
60	BS 532 008 254	washer m8x25x2	4
61	MPA 01 370 300	chassis milling head	1
62	BS 554 100 820	bolt m8x20 din 603	4
63	MPA 01 370 820	knife snowbob 8014	1
64	BS 522 500 825	screw m8x25 iso 7380	2
65	MPA 01 310 610	knife left	1
66	BB 341 080 740	key 8x7x40 din 6880	4
67	MPA 01 370 320	shaft drive turbine gearbox	1
68	MPA 01 370 810	anti rejection plate snowbob 8014	1
69	BB 351 060 630	key 6x6x30 din 6885a	1
70	BS 522 100 816	screw m8x16 din 7991	9
71	BS 033 541 802	slip hub disc	1
72	BS 508 004 007	locknut m40x1	1
73	MPA 01 370 250	auger left	1
74	BR 112 253 001	nylon bushing with collar (25/36/42x30/3)	2
75	BL 801 102 500	bearing + flanges aspfl 205	2
76	BS 532 008 306	washer m8x30x3	2
77	BS 512 000 816	bolt m8x16 din 933	2
78	MPA 01 370 270	protection	1
79	MPA 01 370 260	support gear box	1
80	BA 670 301 006	reduction gearbox ri63	1
81	MPA 01 370 870	spacer ring snowbob 8014	1
82	MPA 01 370 860	auger axle	1
83	BB 341 080 780	key 8x7x80 din 6880	1
84	MPA 01 370 240	auger right	1

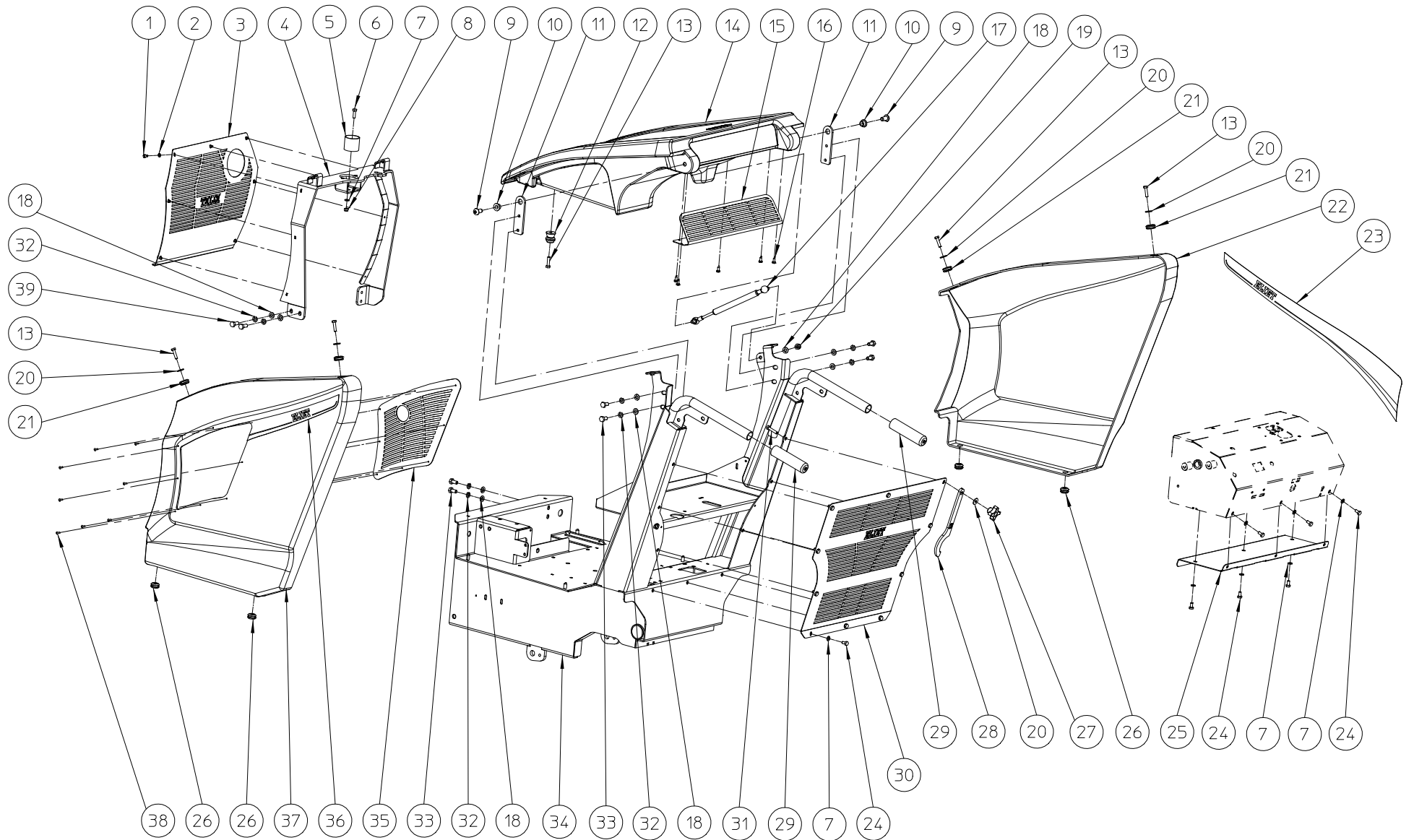




**ELIET SNOWBOB 8014 -- BLOWER ENGINE**

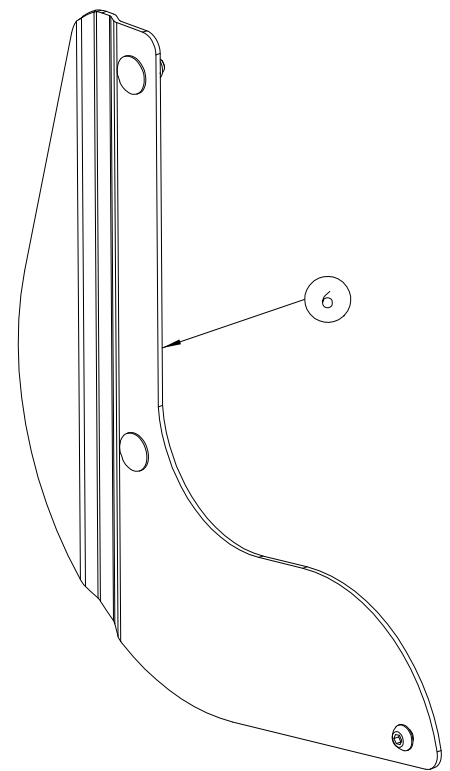
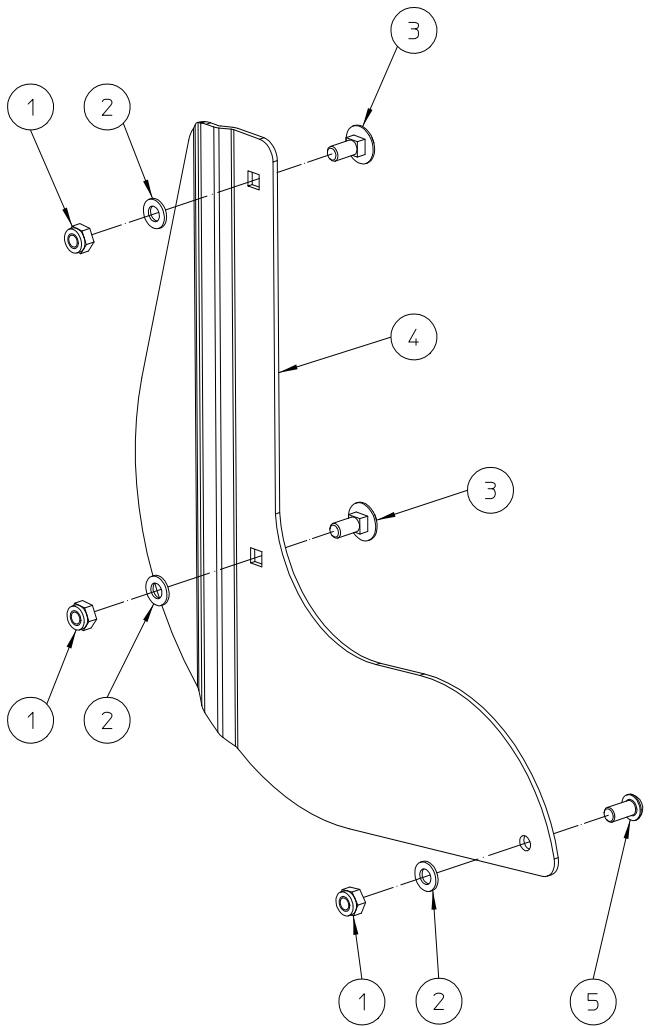
NO	MMA 01 370 160	REV	1	DATE	2014/01/24
----	----------------	-----	---	------	------------

#	Order nr	article description	quantity
1	BS 512 000 816	bolt m8x16 din 933	2
2	BS 533 000 800	lock washer m8 din 127b	4
3	BS 531 000 800	washer m8 din 125	4
4	MPA 01 370 090	thorn coupling hinge	1
5	BR 112 152 090	nylon bushing with collar (15/21/27x21/3)	4
6	BV 011 311 005	spring 1,3x11x55	2
7	MPA 01 370 070	lever control coupling auger	1
8	BL 002 004 703	bearing 6204 zz	3
9	MPA 01 371 140	idler roller Ø80 l:52	1
10	BB 001 000 200	retaining ring 20 din 471	2
11	BB 002 000 470	retaining ring 32 din 472	1
12	MPA 01 371 150	idler roller Ø80 l:24	1
13	BS 512 000 616	bolt m6x16 din 933	6
14	BS 502 000 600	self locking nut m6 din 985	2
15	BK 153 251 510	coupling cable pump	1
16	BS 023 000 812	set screw m8x12 din 916	2
17	BA 565 708 051	pulley spa v 80x25.4x6.4	1
18	BS 512 040 819	bolt unf 5/16"x3/4"	2
19	MPA 01 370 130	belt guide	2
20	BH 509 221 214	male stud coupling 12lxm14	1
21	BH 551 060 270	flexible hydraulic hose 3/8"x270	1
22	BT 174 150 600	terminal nut 3/8"	1
23	BK 181 151 040	choke control	1
24	BS 541 000 510	screw m5x10 din 84	1
25	BS 541 000 516	screw m5x16 din 84	1
26	BM 262 000 005	accelerator calbe clip	1
27	MPA 01 371 180	support chokecable snowbob 8014	1
28	BM 260 697 816	elbow muffler	1
29	BS 549 014 813	screw Ø4.8x13 din 7981	4
30	MPA 01 370 430	exhaust pipe	1
31	BS 511 001 040	bolt m10x40 din 931	4
32	BS 533 001 000	lock washer m10 din 127b	4
33	BS 531 001 000	washer m10 din 125	4
34	BM 204 114 000	engine subaru ex 42	1
35	BS 533 000 600	lock washer m6 din 127b	4
36	BS 531 000 600	washer m6 din 125	4
37	MPA 01 370 120	belt guide	1
38	BS 023 000 816	set screw m8x16 din 916	4
39	BA 565 712 502	pulley spa 125x15x5	1
40	BA 521 709 141	belt a 36 powerated	1
41	BA 565 720 031	pulley spa iii 200x25x8	1
42	BA 521 709 901	belt a 39 powerated	3
43	BR 112 121 090	nylon bushing with collar (12/16/22x10/2)	4
44	MPA 01 370 060	hingepiece control pump	1
45	BV 923 000 020	spring	2
46	MPA 01 370 080	lever clutch pump	1
47	BK 153 251 280	coupling cable milling tool	1
48	MPA 01 370 050	lever control coupling auger	1
49	MPA 01 370 100	thorn coupling hinge pump	1



ELIET SNOWBOB 8014 -- SIDE COVER					
NO	MMA 01 370 180	REV	2	DATE	2014/01/24

#	Order nr	article description	quantity
1	BS 512 000 508	bolt m5x8 din 933	7
2	BS 531 000 500	washer m5 din 125	7
3	MPA 01 371 060	protection plate frontside	1
4	MPA 01 370 400	holder frontal protection	1
5	BO 530 600 002	socket	1
6	BS 512 000 620	bolt m6x20 din 933	1
7	BS 531 000 600	washer m6 din 125	16
8	BS 502 000 600	self locking nut m6 din 985	1
9	BS 522 501 020	screw m10x20 iso 7380	2
10	BR 112 101 000	nylon bushing with collar (10/14/20x8/2)	2
11	MPA 01 371 070	flat hinge snowbob 8014	2
12	BO 530 600 001	hook	1
13	BS 512 000 625	bolt m6x25 din 933	5
14	BR 930 030 030	top cover	1
15	MPA 01 371 050	grating protection plate frontside snowbob 8014	1
16	BS 549 014 813	screw Ø4.8x13 din 7981	5
17	BV 520 610 000	gas struts 180n	1
18	BS 531 000 800	washer m8 din 125	9
19	BS 502 000 800	self locking nut m8 din 985	1
20	BS 532 006 183	washer m6x18x1.5	5
21	BR 000 212 040	grommets 120/200/40	4
22	BR 930 030 020	cover right	1
23	BQ 501 261 040	sticker cover right	1
24	BS 512 000 612	bolt m6x12 din 933	15
25	MPA 01 370 390	cover control panel	1
26	BR 000 209 040	grommets 90/160/40	4
27	BN 630 206 000	lob knob 188-40 m6	1
28	BG 700 707 071	pin spanner	1
29	BN 230 100 707	grip	2
30	MPA 01 371 040	protection behind snowbob 8014	1
31	BS 512 000 630	bolt m6x30 din 933	1
32	BS 533 000 800	lock washer m8 din 127b	8
33	BS 512 000 816	bolt m8x16 din 933	6
34	MPA 01 370 470	chassis	1
35	MPA 01 371 200	gridding side snowbob 8014	1
36	BQ 501 261 050	sticker cover left	1
37	BR 930 030 010	cover left	1
38	BB 221 103 100	pop plug alu 3x10 din 7337 a	8
39	BS 512 000 820	bolt m8x20 din 933	2



ELIET SNOWBOB 8014-PROTECT COTE FRAISE				
NO	MA 023 001 007	REV	1	DATE 2013/12/09

#	Order nr	article description	quantity
1	BS 502 000 800	self locking nut m8 din 985	6
2	BS 531 000 800	washer m8 din 125	6
3	BS 554 100 820	bolt m8x20 din 603	4
4	MPA 01 371 390	protection left side auger	1
5	BS 522 500 816	screw m8x16 iso 7380	2
6	MPA 01 371 380	protection right side auger	1